

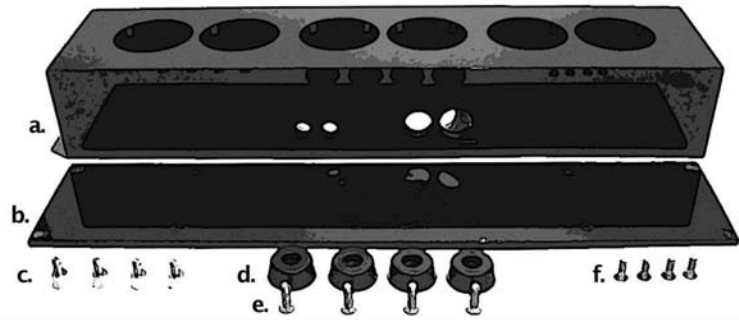
# NXTH Series Enclosures

(NXTH-18w / NXTH-18b for Tube hobby NCV2.1 IN-18 Clock Kits)  
(NXTH-14w / NXTH-14b for Tube hobby NCV2.1 IN-14 Clock Kits)

## Parts List

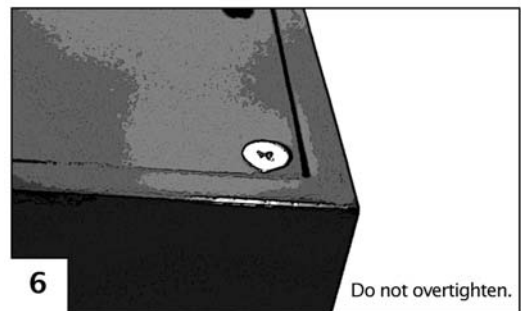
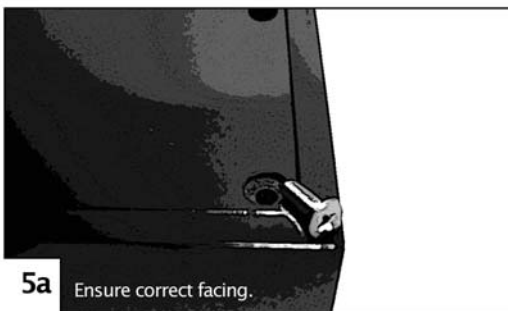
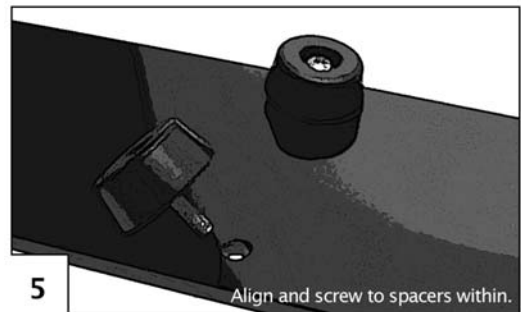
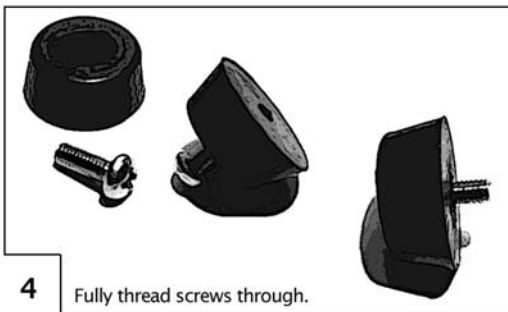
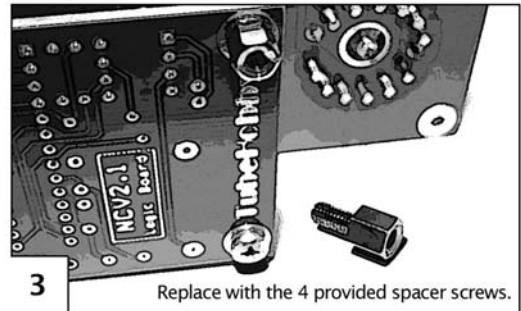
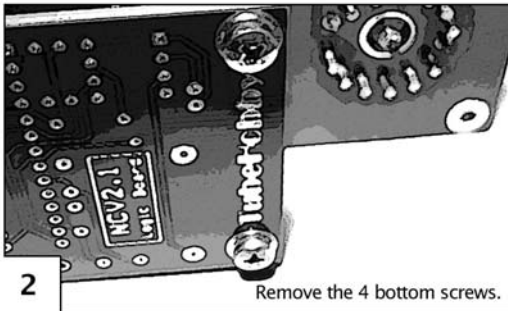
- a. 1 x enclosure (NXTH-18 or 14)
- b. 1 x baseplate (NXTH-18 or 14)
- c. 4 x 5mm spacer screws
- d. 4 x antislip rubber feet
- e. 4 x m3 round head screws
- f. 4 x m2.5 flat head screws

Tools required:  
1 x Phillips Screwdriver (small)



## Assembly Instructions

1. Check the parts list and ensure all parts are accounted for. To prevent fingerprints, wear cotton gloves.
2. **Ensure that the power supply is disconnected.** Remove 4 bottom screws from your assembled clock kit (not supplied).
3. Replace with the 4 supplied 5mm spacer screws (**part c**). Finger tighten only. Keep the original screws in a safe place.
4. Fully and tightly thread the 4 m3 round head screws (**part e**) to the 4 antislip rubber feet (**part d**) as indicated.
5. At this point, carefully insert your clock kit into the enclosure (**part a**). Check that pushbuttons SW1 and SW2 are clear. While carefully cradling the enclosure with the clock kit within, place the baseplate (**part b**) over the enclosure bottom. Align the holes to the 5mm spacers on the clock kit within. The correct side has recessed screw holes at the corners (**figure 5a**). Screw the 4 assembled feet through the baseplate to the 4 spacers (which you have already affixed to clock kit in step 3).
6. Finally, screw the 4 supplied m2.5 flat head screws (**part f**) flush with the baseplate. Do not overtighten!



## Care & Maintenance

To prevent fingerprints and scratches on the highly polished finish, always handle your enclosure with care. To clean your enclosure, wipe gently with a quality **microfiber cloth** or clean 100% flannel cotton. If you do not have any of these materials on hand, clean washed out old t-shirt cotton will be ok. **Do not use any other material to wipe your enclosure.**